

KE Sink 30" x 18" – U/M



Kitchen Sinks

Code: 2157 863

AISI 304 Stainless steel
Foster brushed
Undermount



DETAILS

Edge/Installation Type	Undermount
Finish	Foster brushed
Series	KE
Texture	Foster brushed
Material	AISI 304 stainless steel
Thickness	18 Gauge (1.2 mm)
Overall dimensions	29 1/2" x 17 5/16"
Bowl dimension	1 bowl 27 15/16" x 15 3/4"

Bowls depth	8"
Cut out	27 ¹⁵ / ₁₆ " x 15 ³ / ₄ "
Waste fitting type	3 ¹ / ₂ " - with stainless steel basket

Underside Protected with heavy duty undercoating

Fixing system Undermount fixing kit (brass insert and clips)

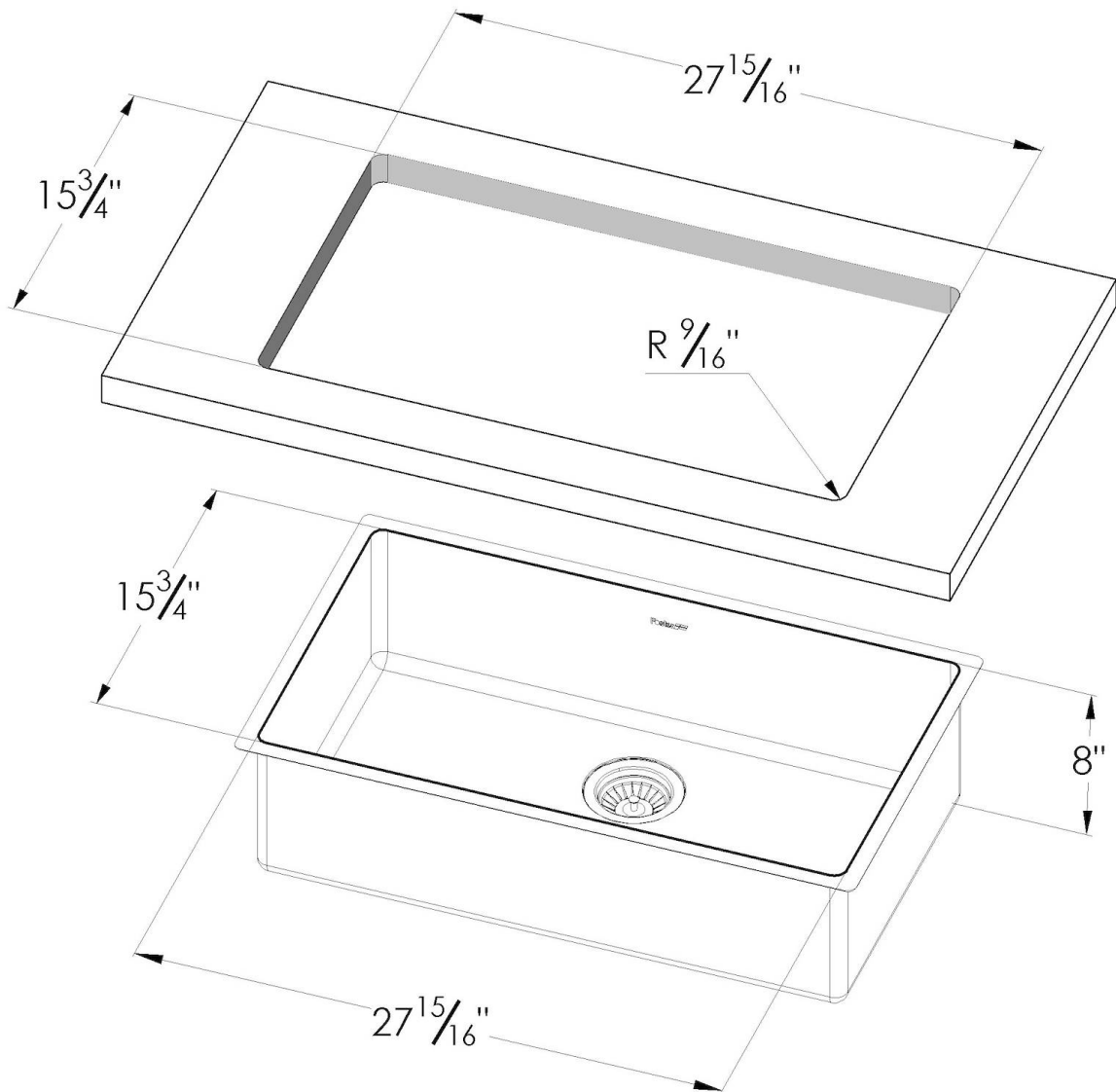
FEATURES

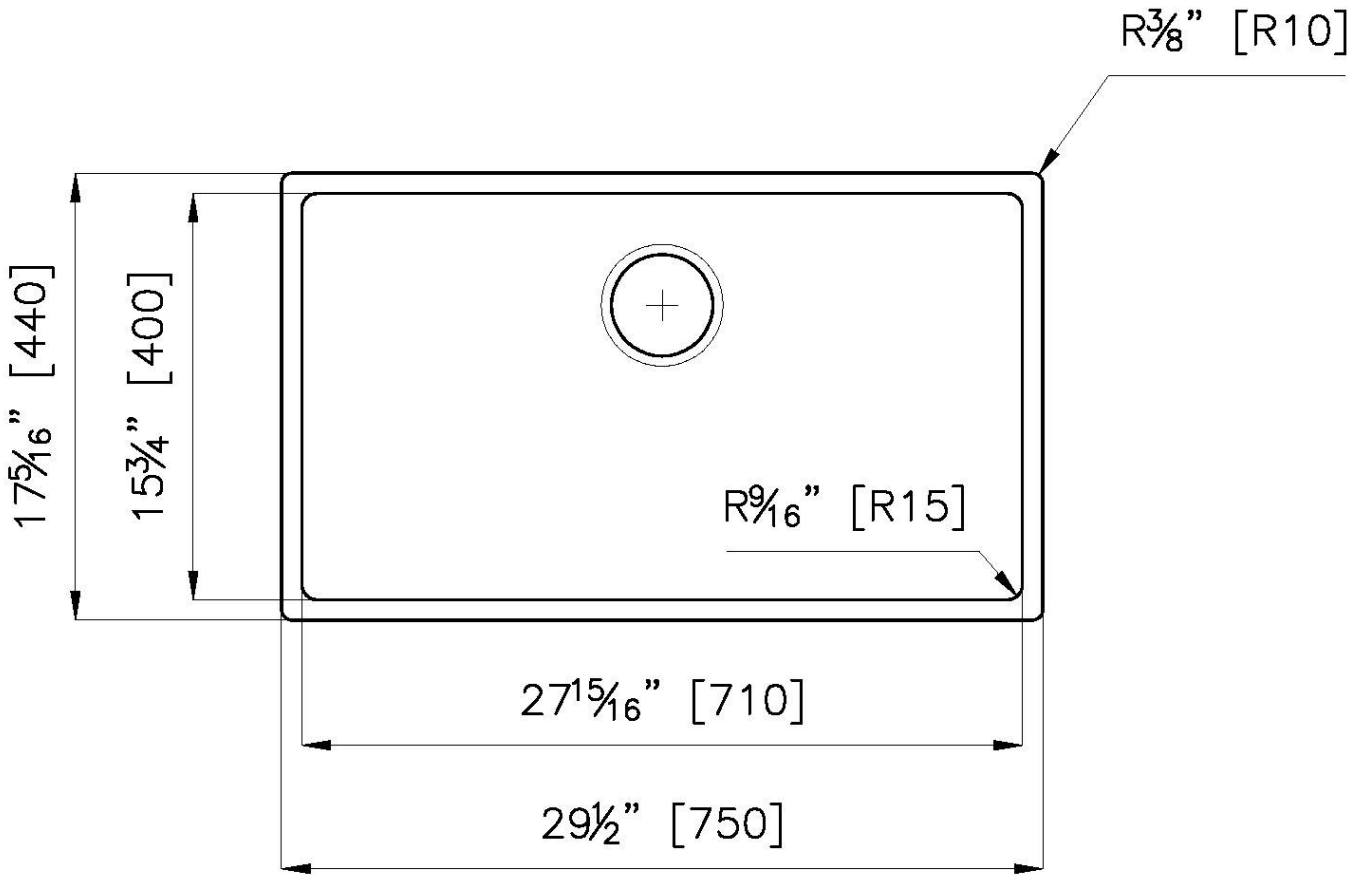
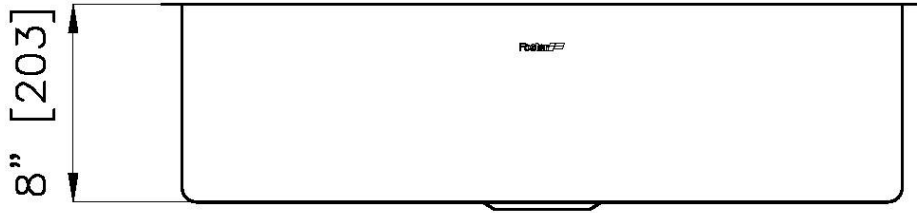
Basket 3,5" waste fitting The drain is equipped with a large 3.5" drain, with the practical basket cap that prevents the discharge of solid parts.

High thickness 1.2 1.2 mm thick steel. A significant thickness, which guarantees the maximum sturdiness and durability.

Small radius Bowls with squared shapes with a modern design and an increased capacity, for a minimal aesthetics connected with an extreme practicality.

TECHNICAL DATA





GALLERY



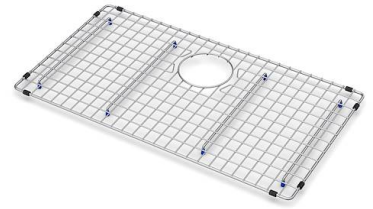
OPTIONAL ACCESSORIES



Chopping Board
8631 300



Grating kit complete with ring support and food collection tray
8159 101
* only in combination with the accessory
8644 101



Grid
8100 404



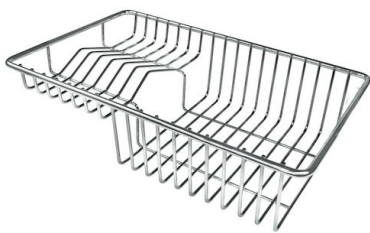
HPDE Chopping board
8657 001



HPDE Chopping board GREY
8657 002



Iroko-wood sliding chopping board with stainless steel colander
8644 044



Stainless Steel dishes holder
8100 303
* only in combination with the accessory
8644 101



Stainless steel perforated pan
8151 000
* only in combination with the accessory
8644 101



Twin Chopping Board
8644 101



Waste disposer throat
8669 043

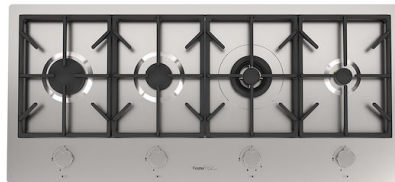


White bowl
8153 100

RECOMMENDED PAIRINGS



Faucet Ponza
8497 025



Milano Cooktop 4 burners inLine
7640 900